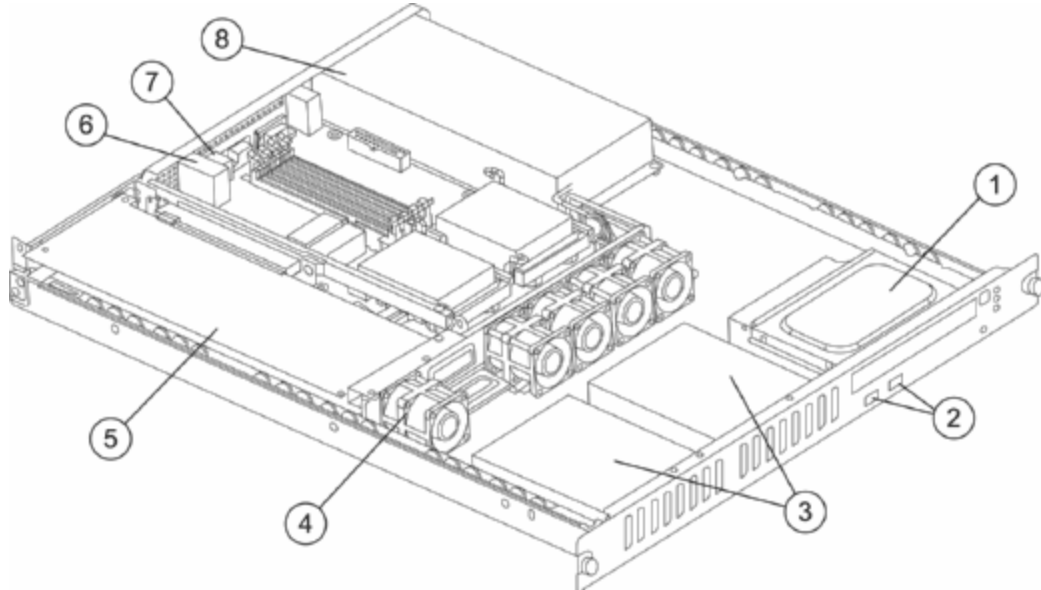


Overview



1. One CD-ROM (optional)
2. Two front USB1.1 ports
3. Two 1" Non-Hot Plug ATA-100 Hard Drive Bays
4. System Fans
5. One 64-bit/133MHz PCI-X full length Slot (PCI card not included)
6. Two Gigabit Ethernet ports
7. Two rear USB1.1 ports
8. One 325W power supply (PFC, auto-switching, non-redundant, non-hot plug)

What's New

- Supports 2 or 1 Intel Xeon 3.06 GHz processors with 512-KB second level ECC cache standard, 533MHz front-side-bus supporting Hyper-Threading Technology

At A Glance

- ServerWorks GC-SL Chipset with 533-MHz FSB
- 1-GB or 512-MB of PC2100 DDR SDRAM running at 266MHz with Advanced ECC capabilities standard, expandable to 4 GB
- Integrated Dual Broadcom 10/100/1000 NICs (Wake on LAN and PXE capable)
- Integrated Dual Channel Ultra ATA/100 Adapter (ATA Models)
- Support for up to two 1" ATA/100 Non Hot Plug hard drives
- One PCI-X 64-bit/133MHz PCI slot operating at 3.3 volts
- Internal storage capacity of up to 320 GB (2 x 160-GB non-hot plug 1" ATA/100 HDDs)
- Integrated ATI Rage XL with 8MB SDRAM video
- 325W Power Supply (Non-Hot Plug, autoswitching)
- Four USB ports (two rear, two front)
- ROM Setup Utility
- Protected by HP Services, including a one-year, limited warranty, Parts only 1 year limited Global warranty - Certain restrictions and exclusions apply.

Standard Features

Processor

One of the following depending on Model:

Intel Xeon 3.06 GHz processor with 512-KB second level ECC cache standard, 533MHz front-side-bus supporting Hyper-Threading Technology

Intel Xeon 3.2 GHz processor with 1-MB second level ECC cache standard, 533MHz front-side-bus supporting Hyper-Threading Technology

Intel Xeon 2.4 GHz processor with 512-KB second level ECC cache standard, 533MHz front-side-bus supporting Hyper-Threading Technology

Memory

One of the following depending on Model:

Standard 512 MB PC2100 DDR SDRAM running at 266MHz, with Advanced ECC capabilities
(NOTE: Available with 2.4 GHz models.)

1 GB PC2100 DDR SDRAM running at 266MHz, with Advanced ECC capabilities
(NOTE: Available with 3.06 GHz, 3.2 GHz or 2.4 GHz models.)

Maximum 4 GB

Network Controller

Integrated Dual Broadcom 10/100/1000 NICs (Wake on LAN and PXE capable)

Expansion Slots

I/O

64-bit/133MHz PCI

Number of slots

1

PCI Voltage:

3.3 volts

Storage Controller

Integrated Dual Channel Ultra ATA-100 IDE

Storage

Diskette Drives

None

CD-ROM

24x IDE (ATAPI) CD-ROM Drive (optional)

Hard Drives

80 GB, or 160GB ATA/100 7200 rpm 1"Drive

Maximum Internal Storage (ATA Models)

320 GB (2 x 160 GB)

Interfaces

Parallel

None

Serial

1

Pointing Device (Mouse)

1

Graphics

1

Keyboard

1

USB

4 (two front, two rear)

NOTE: Please see the following URL for additional information regarding USB support:
<http://h18004.www1.hp.com/products/servers/platforms/usb-support.html>.

Network RJ-45 (Ethernet)

2

Graphics

Integrated ATI RAGE XL Video Controller with 8MB SDRAM Video Memory

Form Factor

Rack Mount (1U)

Standard Features

Industry Standard Compliance ACPI V1.0b Compliant
PCI 2.2 Compliant
PXE Support
WOL Support
Microsoft® Logo certifications

Manageability BIOS Serial Console Redirect

Security Power-on password
Setup password

Server Power Cords One Highline IEC Power cord ships standard (for connection to a Power Distribution Unit)

Power Supply 325 Watts, auto-switching, PFC (Power Factor Correcting)

System Fans 5 – Non-hot plug, Non-redundant system fan shipped standard

OS Support Microsoft Windows® 2000 Server
Microsoft Windows 2000 Advanced Server
Microsoft Windows 2003 Standard Edition
Microsoft Windows 2003 Enterprise Edition
Microsoft Windows 2003 Web Edition
Red Hat Linux AS/ES/WS 2.1
United Linux 1.0

NOTE: For an up-to-date listing of the latest OS support matrix, please see:

<ftp://ftp.compaq.com/pub/products/servers/os-support-matrix-310.pdf>.

NOTE: For an up-to-date listing of the latest drivers available for the HP ProLiant DL140, please see:

<http://h18023.www1.hp.com/support/files/server/us/index.html>.

NOTE: For more complete and up-to-date information on how to buy server operating systems from HP please visit the OS product site at: <http://h18004.www1.hp.com/products/servers/software/OEM.html>

ProLiant Essentials Foundation Pack Software Optional ProLiant Essentials Value Packs Optional software offerings that selectively extend the functionality of an Adaptive Infrastructure to address specific business problems and needs:

- Intelligent Networking Pack - detects and analyzes network bottlenecks or broken network linkages and steers traffic to the optimum route based on network conditions.

NOTE: Flexible and volume quantity license kits are available for ProLiant Essentials Value Packs. Refer to <http://www.hp.com/servers/proliantessentials> or the various ProLiant Essentials Value Pack product QuickSpecs for more information.

NOTE: For more information regarding ProLiant Essentials Software, please see the following URL: <http://www.hp.com/servers/proliantessentials>.

Standard Features

Factory Express Portfolio for Servers and Storage

HP Factory Express offers configuration, customization, integration and deployment services for HP servers and/or storage products. Customers can choose how their factory solutions are built, tested, integrated, shipped and deployed.

Factory Express offers service packages for simple configuration, racking, installation, complex configuration and design services as well as individual factory services, such as image loading, asset tagging, and custom packaging to meet customer needs. HP products supported through Factory Express include: HP Integrity, HP ProLiant & Blades, HP 9000 servers and the MSA1000, VA7xxx, EVA3000 & EVA5000, XP, rackable tape libraries and configurable network switches storage products.

For more information on how to order please contact your sales representative or go to www.hp.com/go/factory-express.

Service and Support

HP Services provides a one-year, limited warranty, fully supported by a worldwide network of resellers and service providers and lifetime toll-free 7 x 24 hardware technical phone support. In addition, available service offerings include:

NOTE: one-year limited warranty, Parts only 1 year limited Global warranty.

A full range of HP Care Pack packaged hardware and software services:

- Installation and start up
- Extended coverage hours and enhanced response times
- System management and performance services
- Availability and recovery services

NOTE: For more information, visit <http://www.hp.com/services/carepack>.

Please see the following URL regarding Warranty Information For Your HP Products:

<http://h18004.www1.hp.com/products/servers/platforms/warranty/index.html>.

For additional information regarding Worldwide Limited Warranty and Technical Support, please see the following URL:

<ftp://ftp.compaq.com/pub/supportinformation/ejourney/176738.pdf>.

NOTE: Certain restrictions and exclusions apply.

Models

**ProLiant DL140 Dual
3.06 GHz Xeon 1-GB,
80GB, ATA**
356533-B21

Processor	Dual Intel Xeon 3.06 GHz processors, 533MHz front-side-bus
Cache Memory	512-KB second level ECC cache
Memory	1 GB PC2100 DDR SDRAM running at 266MHz, with Advanced ECC capabilities
Network Controller	Integrated Dual Broadcom 10/100/1000 NICs (Wake on LAN and PXE capable)
Storage Controller	Integrated Dual Channel Ultra ATA-100 IDE
Hard Drive	80 GB Ultra ATA/100
Internal Storage	320 GB maximum (with optional hard drive)
Form Factor	Rack Mount (1U)

**ProLiant DL140 Single
3.06 GHz Xeon 1GB,
80GB, ATA**
359043-B21

Processor	Intel Xeon 3.06 GHz processor, 533MHz front-side-bus
Cache Memory	512 KB second level ECC cache
Memory	1 GB PC2100 DDR SDRAM running at 266MHz, with Advanced ECC capabilities
Network Controller	Integrated Dual Broadcom 10/100/1000 NICs (Wake on LAN and PXE capable)
Storage Controller	Integrated Dual Channel Ultra ATA-100 IDE
Hard Drive	80 GB Ultra ATA/100
Internal Storage	320 GB maximum (with optional hard drive)
Form Factor	Rack Mount (1U)

**ProLiant DL140 Dual 3.2
GHz Xeon 1-GB, 80GB,
ATA**
350533-B21

Processor	Dual Intel Xeon 3.2 GHz processors, 533MHz front-side-bus
Cache Memory	1-MB second level ECC cache
Memory	1 GB PC2100 DDR SDRAM running at 266MHz, with Advanced ECC capabilities
Network Controller	Integrated Dual Broadcom 10/100/1000 NICs (Wake on LAN and PXE capable)
Storage Controller	Integrated Dual Channel Ultra ATA-100 IDE
Hard Drive	80 GB Ultra ATA/100
Internal Storage	320 GB maximum (with optional hard drive)
Form Factor	Rack Mount (1U)

**ProLiant DL140 Dual 2.4
GHz Xeon 1-GB, 80GB,
ATA**
350535-B21

Processor	Dual Intel Xeon 2.4 GHz processors, 533MHz front-side-bus
Cache Memory	512 KB second level ECC cache
Memory	1 GB PC2100 DDR SDRAM running at 266MHz, with Advanced ECC capabilities
Network Controller	Integrated Dual Broadcom 10/100/1000 NICs (Wake on LAN and PXE capable)
Storage Controller	Integrated Dual Channel Ultra ATA-100 IDE
Hard Drive	80 GB Ultra ATA/100
Internal Storage	320 GB maximum (with optional hard drive)
Form Factor	Rack Mount (1U)

**ProLiant DL140 Single
2.4 GHz Xeon 512MB,
80GB, ATA**
350534-B21

Processor	Intel Xeon 2.4 GHz processor, 533MHz front-side-bus
Cache Memory	512 KB second level ECC cache
Memory	512 MB PC2100 DDR SDRAM running at 266MHz, with Advanced ECC capabilities
Network Controller	Integrated Dual Broadcom 10/100/1000 NICs (Wake on LAN and PXE capable)
Storage Controller	Integrated Dual Channel Ultra ATA-100 IDE
Hard Drive	80 GB Ultra ATA/100
Internal Storage	320 GB maximum (with optional hard drive)
Form Factor	Rack Mount (1U)

Options

Processor	3.06GHz/512KB Processor Option Kit	359047-B21
	2.4GHz/512KB Processor Option Kit	349043-B21
Memory (DIMMs)	1024MB of Advanced ECC PC2100 DDR SDRAM DIMM Memory Kit (1 x 1024 MB)	351109-B21
	512MB of Advanced ECC PC2100 DDR SDRAM DIMM Memory Kit (1 x 512 MB)	351108-B21
Optical Drives	24x CD-ROM Option Kit	349046-B21
Communications	HP NC570C PCI-X Dual-port 4x Fabric Adapter	376158-B21
	HP 24-Port 4x Fabric Copper Switch	376227-B21
	HP 4x Fabric 1m Copper Cable	376232-B21
	HP 4x Fabric 3m Copper Cable	376232-B22
	HP 4x Fabric 5m Copper Cable	376232-B23
	Myrinet -Fiber/PCI-X interface, M3F-PCIXD-2	257894-006
	HP NC1020 PCI Single Port 1000T Gigabit Server Adapter	353377-B21
	HP NC7771 PCI-X Single Port 1000T Gigabit Server Adapter	290563-B21
	HP NC150T PCI 4-port Gigabit 1000T Combo Switch Adapter	367132-B21
Rack Kits	Telco Rack Kit	349050-B21
Hard Drives	ATA 100 - Non-Hot Plug	
	160-GB ATA/100 7,200 rpm Drive (1")	366486-B21
	80-GB ATA/100 7,200 rpm Drive (1")	278424-B21
ProLiant Essentials Licensing and Packaging	ProLiant Essentials Vulnerability and Patch Management Pack, Single-Server License	371645-B21
	ProLiant Essentials Vulnerability and Patch Management Pack, 10-Server License	372029-B21
	ProLiant Essentials Vulnerability and Patch Management Pack, Flexible-Quantity License	371646-B21
	ProLiant Essentials Vulnerability and Patch Management Pack, Tracking License for New Servers	371647-B21
	ProLiant Essentials Vulnerability and Patch Management Pack, Tracking License for Installed Servers	378372-B21
	ProLiant Essentials Intelligent Networking Pack, Single Server License	372906-B21
	NOTE: For use with a single server. Contains one license with a unique license activation key and documentation.	
	ProLiant Essentials Intelligent Networking Pack, Flexible License	372950-B21
	NOTE: For use with multiple servers. This part number can be used to purchase multiple licenses with a single activation key. The quantity ordered for this part number will be the quantity of licenses included in the kit in the form of a corresponding activation key. Use the same key to activate all licenses in the actual quantity ordered. For a given order, one kit will be delivered with the activation key, and documentation.	
ProLiant Essentials Intelligent Networking Pack, Tracking License	372951-B21	
NOTE: For use with signed and implemented Activation Key Agreements only. Purchase of this part number entitles the customer to deploy additional licenses of the product under the terms of the existing Activation Key Agreement.		
NOTE: Nothing is delivered in conjunction with the purchase of this part number. Visit http://h18004.www1.hp.com/products/servers/proliantessentials/license/akalic.html for more information on Activation Key Agreements.		

Options

HP KVM Switch Options	HP 1x4 USB/PS2 KVM Switch, TT (NA/JPN)	371301-D71
	HP 1x4 USB/PS2 KVM Switch ,TT (AU/NZ)	371301-011
	HP 1x4 USB/PS2 KVM Switch, TT (UK)	371301-031
	HP 1x4 USB/PS2 KVM Switch, TT (EU)	371301-A21
	HP 1x4 USB/PS2 KVM Switch ,RM (ALL)	371302-B21
	HP PS2 KVM Cable with audio, 6', 2-pack	371730-B21
	HP USB KVM Cable with audio, 6', 2-pack	371729-B21

USB Options	USB Optical Scroll Mouse (Carbonite)	DD441B
	USB 1.44-MB External Diskette Drive	DC141B
	256 MB HP Drive Key II (USB 2.0)	PH657A

USB Easy Access Keyboard (Carbonite/Silver) Country Key Code

Dash #	Description	Dash #	Description
A2M	ICELAND	ABT	HE
AB0	TAWA	ABU	UK
AB1	KOR	ABV	ARA
AB2	PRC	ABX	FIN
AB6	FRA	ABY	DEN
AB7	GRK	ABZ	ITL
AB8	TURK	ACO	BEL
AB9	PORT	AC4	BRZ
ABA	US	ACB	RUSS
ABB	EURO	AKB	CZE
ABC	FCAN	AKC	HUNG
ABD	GR	AKD	POL
ABE	SP	AKL	THAI
ABF	FR	AKN	BHCSY
ABH	NL	AKR	SLOV
ABJ	Japan	ARK	ICELAND
ABM	LA	B15	KAZ
ABN	NOR	UUZ	SWISS
ABS	SW		

Service and Support, HP Care Pack, and Warranty Information

Service and Support Offerings (HP Care Pack Services)	Hardware Services 4-Hour On-site Service	
	13-Hour x 5-Day Coverage, 3 Years	U9509A
	13-Hour x 5-Day Coverage, 3 Years, Electronic	U9509E
	24-Hour x 7-Day Coverage, 3 Years	U9510A
	24-Hour x 7-Day Coverage, 3 Years, Electronic	U9510E
	Hardware Services Next Business Day On-Site Service	
	9-Hour x 5-Day Coverage, 3 Years	U9508A
	9-Hour x 5-Day Coverage, 3 Years, Electronic	U9508E
	Hardware Services 6-Hour Call to Repair On-Site Service	
	6-Hour Call to Repair, On-site Service, 7-Day x 24-Hour Coverage, 3 Years	U9511A
	6-Hour Call to Repair, On-site Service, 7-Day x 24-Hour Coverage, 3 Years, Electronic	U9511E
	Hardware Installation	U9520A
	Hardware Installation, Electronic	U9520E

NOTE: For more information, customer/resellers can contact <http://www.hp.com/services/carepack>.

Tested Product List

NOTE: The Tested Product List (TPL) is a list of HP and standard 3rd party devices (hardware or software) that have been tested by either HP or independent test houses for basic compatibility with the HP server DL140. HP products are supported by HP, non-HP products are not supported by HP. For non-HP products, you must obtain support from their own manufacturer. Non-HP third party products have been tested only for compatibility with the specified HP server. This level of testing confirms proper device recognition by the HP server and basic compatibility with the identified HP server. HP disclaims all responsibility and liability for the manufacturing, distribution, marketing, licensing, installation, use, performance, maintenance, safety, regulatory certification, and support of these 3rd party products.

HPTC Interconnect	Manufacturer	Myricom
	Product	Myrinet -Fiber/PCI-X interface, M3F-PCIXD-2
	Data Transfer Method	64-bit, 133/66MHz PCI-X/PCI Bus Master

Memory

HP ProLiant DL140 Dual Processor Models

Standard Memory

1-GB of PC2100 DDR SDRAM running at 266MHz, with Advanced ECC capabilities Memory installed. (depending on model)

Maximum Memory

Up to 4096-MB memory is available with the optional installation of PC2100 Registered ECC DDR SDRAM DIMM Memory kits.

NOTE: Chart does not represent all possible memory configurations.

Memory		Slot			
		1	2	3	4
Standard	1,024 MB	Empty	Empty	Empty	1,024 MB
Maximum	4,096 MB	1,024 MB	1,024 MB	1,024 MB	1,024 MB

Following are memory options available from HP:

- 512MB of Advanced ECC PC2100 DDR SDRAM DIMM Memory Kit (1 x 512 MB) 351108-B21
- 1024MB of Advanced ECC PC2100 DDR SDRAM DIMM Memory Kit (1 x 1024 MB) 351109-B21

HP ProLiant DL140 Single Processor Models

Standard Memory

512-MB of PC2100 DDR SDRAM running at 266MHz, with Advanced ECC capabilities Memory installed. (depending on model)

Standard Memory Plus Optional Memory

Up to 3584-MB memory is available with the optional installation of PC2100 Registered ECC DDR SDRAM DIMM Memory kits.

Maximum Memory

Up to 4096-MB of memory is available with the removal of the standard 512-MB of memory and the optional installation of PC2100 Registered ECC DDR SDRAM DIMM Memory kits.

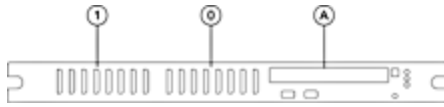
NOTE: Chart does not represent all possible memory configurations.

Memory		Slot			
		1	2	3	4
Standard	512 MB	Empty	Empty	Empty	512 MB
Optional	3,584 MB	1,024 MB	1,024 MB	1,024 MB	512 MB
Maximum	4,096 MB	1,024 MB	1,024 MB	1,024 MB	1,024 MB

Following are memory options available from HP:

- 512MB of Advanced ECC PC2100 DDR SDRAM DIMM Memory Kit (1 x 512 MB) 351108-B21
- 1024MB of Advanced ECC PC2100 DDR SDRAM DIMM Memory Kit (1 x 1024 MB) 351109-B21

Storage



A
0, 1

24x IDE (ATAPI) CD-ROM (optional)
Two 1" Non-Hot Plug ATA-100 Hard Drive Bays

Drive Support

Removable Media

	Quantity Supported	Position Supported	Controller
IDE (ATAPI) CD-ROM Drive	Up to 1	A	Integrated IDE (ATAPI) (optional)

Hard Drives

ATA/100 IDE - Non-Hot Plug

	Quantity Supported	Position Supported	Controller
<u>1-inch</u> 80.0-GB	Up to 2	0, 1	Integrated Dual Channel Ultra ATA-100 Adapter

Power Specifications

Spare Kit	348796-001
Operational Input Voltage Range (V rms)	90Vac to 264Vac full range
Frequency Range (Nominal) (Hz)	50 Hz to 60 Hz

Nominal Input Voltage (Vrms)	100	115	208	220	230	240
Max Rated Output Wattage Rating	325	325	325	325	325	325
Nominal Input Current (A rms)	4.5	3.9	2.3	2.2	2.1	2.1
Max Rated Input Wattage Rating (Watts)	440	435	420	420	420	420
Max. Rated VA (Volt-Amp)	450	445	470	480	490	500
Efficiency (%)	70	70	72	72	73	73
Power Factor	0.98	0.98	0.88	0.87	0.85	0.80
Leakage Current (mA)	1.0	1.0	1.0	1.0	1.0	1.0
Maximum Inrush Current (A peak)	50	51	70	73	76	78
Maximum Inrush Current duration (mS)	2	2	2	3	3	3

System Specifications

	Power	
	110V/60Hz	220V/50Hz
ProLiant DL140 Fully Configured		
Fully Loaded System Input Wattage (W)	442	442
Fully Loaded System Input Current (A rms)	4.1	2.2
Fully Loaded System Thermal (BTU- Hr)	1509	1509
Fully Loaded System VA (Volt-Amp)	450	480
System Leakage with all power supplies loaded (mA)	0.6	0.6
System Inrush Current with all power supplies loaded (A)	50	70
Power cord requirements	Nema 5-15P to IEC320-C13	IEC320-C13 to IEC320-C14
**Power shown is for a fully configured system consisting of (2) CPU, (4) double-sided DIMMs, (2) HDDs, (1) CD-ROM, and (1) PCI card.		
Power Cord Part Number-All Countries		307348-B21
Power Cord - 12' (US)		227099-B21

Technical Specifications

System Unit	Dimensions (HxWxD) (with feet)	1.7 x 16.9 x 23.7 in (4.37 x 43.0 x 60.22 cm)		
	Weight (approximate)	24.2 lb (11.0 kg)		
	Input Requirements (per power supply)	Range Input Voltage	90 to 140 VAC/180 to 264 VAC	
		Normal Line Voltage	115 or 230 VAC	
	Line Frequency	50 to 60 Hz		
	Rated Input Current load	3.9A at 115VAC, 2.1A at 230VAC		
	BTU Rating	1,100 BTU-Hr		
	Power Supply Output Power (per power supply)	Rated Steady-State Power	325W	
		Maximum Peak Power	420W	
	Temperature Range	Operating	50° to 93° F (10° to 35° C)	
		Shipping	-40° to 140° F (-40° to 60° C)	
	Relative Humidity (non-condensing)	Operating	10% to 90%	
		Non-operating	10% to 95%	
	Acoustic Noise	Idle (Fixed Disk Drives Spinning)	L WAd (BELS)	5.9
			L pAm (dBA)	48
Operating (Random Seeks to Fixed Disks)		L WAd (BELS)	6.6	
		L pAm (dBA)	54	

Non-Hot Plug ATA/100 Hard Drives	80 GB 7.2K 278424-B21	Capacity	80027 MB	
		Height	1.028 in (2.61 cm)	
		Width	4.0 in (10.16 cm)	
		Interface	ATA 100	
		Transfer Rate Synchronous (Maximum)	100 MB/s	
		Seek Time (typical reads, including settling)	Single Track	0.8 ms
			Average	9.0 ms
			Full-Stroke	17.0 ms
		Physical Configuration	Rotational Speed	7,200 rpm
			Bytes/Sector	512
		Logical Blocks	160,086,528	
	Operating Temperature	41° to 131° F (5° to 55° C)		

Technical Specifications

Integrated Dual Channel Ultra ATA-100 Adapter (ATA Models only)	Drives Supported	Up to 2 IDE devices
	Channels	2 (ATA Drives, CDR0M)
	Storage Capacity	160 GB internal storage
	Data Transfer Method	32-bit/33-MHz PCI bus-master
	Maximum ATA Channel Transfer Rate	100 MB/s per channel
	Maximum Transfer Rate per PCI Bus (peak)	266 MB/s per channel
	ATA Protocols	UDMA Mode[0-5] PIO Mode[0-4]
	ATA 100 Cable	80-Conductor Cable
	Internal ATA Connectors	Two 40-Pin Connectors (primary and secondary)

Integrated Dual Broadcom 10/100/1000 NICs (Wake on LAN and PXE capable)	Network Interface	10Base-T/100Base-TX/1000Base-TX		
	Compatibility	IEEE 802.3 10Base-T		
		IEEE 802.3 1000Base-T		
		IEEE 802.3 100Base-TX		
	Data Transfer Method	64-bit, 133MHz PCI(X)1.0		
	Network Transfer Rate	10Base-T (Half-Duplex)	10 Mb/s	
		10Base-T (Full-Duplex)	20 Mb/s	
		100Base-TX (Half-Duplex)	100 Mb/s	
		100Base-TX (Full-Duplex)	200 Mb/s	
		1000Base-TX (Half-Duplex)	1000 Mb/s	
1000Base-TX (Full-Duplex)		2000 Mb/s		
Connector	RJ-45			
Cable Support	10Base-T	Categories 3, 4 or 5 UTP; up to 328 ft (100 m)		
	10/100/1000Base-TX	Category 5 UTP (2 Pair); up to 328 ft (100 m)		

© Copyright 2005 Hewlett-Packard Development Company, L.P.

The information contained herein is subject to change without notice.

Microsoft and Windows NT are US registered trademarks of Microsoft Corporation. Intel is a US registered trademark of Intel Corporation.

The only warranties for HP products and services are set forth in the express warranty statements accompanying such products and services. Nothing herein should be construed as constituting an additional warranty. HP shall not be liable for technical or editorial errors or omissions contained herein.